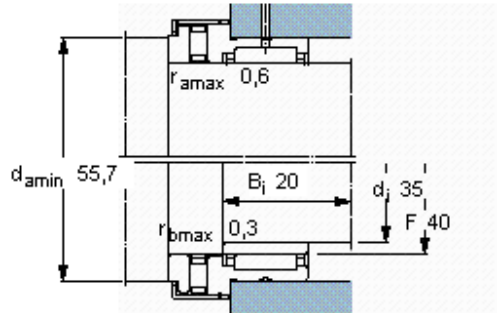
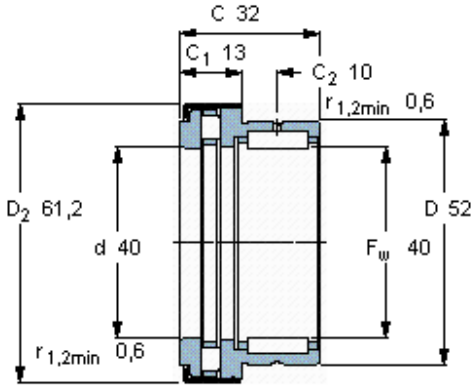


1_18, needle roller/full complement thrust ball bearings

| Principal dimensions | | | Basic load ratings | | | | Speed ratings | | Limiting speed | Designation |
|----------------------|----|----|------------------------|--------------------------|-----------------------|--------------------------|-----------------|------|------------------|-------------|
| F _w | D | C | radial dynamic C | static C ₀ | axial dynamic C | static C ₀ | Reference speed | | | |
| mm | | | kN | | | | r/min | | - | |
| 40 | 52 | 32 | 26,4 | 51 | 43 | 137 | 2400 | 5000 | NKXR 40 Z | |



Appropriate inner ring

IR 35x40x20